

Council Recognition
Thursday
September 25, 2025
7:00 P.M. – 10:00 P.M.

Dinner

The Inn at
New Hyde Park
214 Jericho Turnpike, NHP

Please join us for an evening of Scouting fellowship as we thank and recognize our volunteers who deliver the Scouting program in Nassau County.

HONORING OUTSTANDING
VOLUNTEERS WITH THE

Silver Beaver Award

Award of Merit

Torch of Gold

*and additional volunteer recognitions and
award presentations*

Council Recognition Dinner

Please complete and return this form to:
Theodore Roosevelt Council
544 Broadway
Massapequa, NY 11758

For more information and guidelines for preparing program tributes, please visit TRCscouts.org/Dinner or contact Zachary Montenero at Zachary.Montenero@scouting.org or 516-797-7600 ext.113.

All reservations must be made in advance by **September 17**. No walk-ins. The deadline for program tributes is **September 17**.

Proceeds benefit Scouting programs to prepare young people to make ethical and moral choices over their lifetimes.

A copy of our latest annual financial report is available upon request from the Theodore Roosevelt Council, Inc., 544 Broadway, Massapequa, NY 11758 or by calling (516) 797-7600. Official registration and financial information may also be obtained from the New York State Office of the Attorney General Charities Bureau, 120 Broadway, New York, NY 10271 or by calling (212) 416-8401 or visiting www.ag.ny.gov. EIN# 11-1631798

Please list your guests below.

1. _____
2. _____
3. _____
4. _____
5. _____
6. _____
7. _____
8. _____
9. _____
10. _____

The Theodore Roosevelt Council is a non-profit organization. Under section 501(C)(3) of the IRS code, tickets are tax-deductible to the fullest extent allowed by law. Estimated fair market value of each ticket is \$100.

THANK YOU!

Dinner Sponsorships

- SILVER SPONSOR \$2,500**
Two tables of ten (20 tickets)
Inside front or back cover program tribute
- GOLD SPONSOR \$1,500**
Table of ten (10 tickets)
Full page program tribute

Our event program will be printed in black and white. We recommend submitting your tribute as a press-quality PDF file.

Tables & Tickets

- TABLE OF TEN \$1,250**
Reserved table seating for 10
- INDIVIDUAL TICKET \$125**
No. _____ x \$125 = \$ _____

Donations

- I cannot attend, but I wish to make a fully tax-deductible contribution of \$ _____

Contact & Contribution Information

Name: _____

Company: _____

Address: _____

City/State/Zip: _____

Tel: _____ Email: _____

Sponsor Name as it should appear in print/online: _____

TOTAL CONTRIBUTION AMOUNT: \$ _____

- Enclosed is my check, payable to Theodore Roosevelt Council
- Please charge my credit card: Visa AmericanExpress MasterCard

Card No.: _____ Exp. Date: _____

Name on Card: _____ CWV Code: _____

Signature: _____

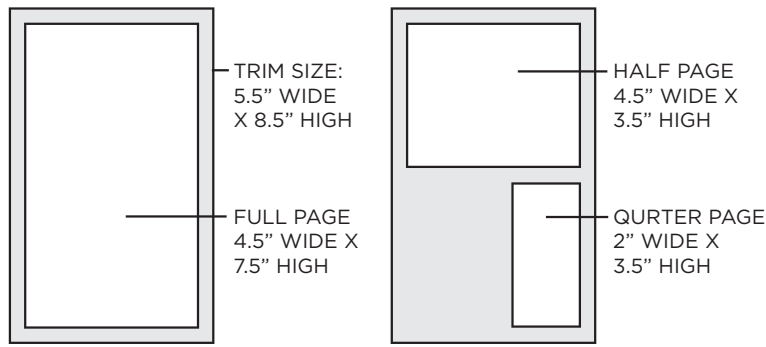
Responses and Commitments also accepted at www.TRCscouts.org/Dinner

Council Recognition Dinner

JOURNAL AD & LOGO GUIDELINES

Ad Sizes

CATEGORY	WIDTH	HEIGHT	BLEED
Cover/Full Page Ads	4.5"	7.5"	NA
Half Page Ads	4.5"	3.5"	NA
Quarter Page Ads	2"	3.5"	NA



Ad Artwork

Ad artwork should be high resolution at the measurements noted above. Ads may be full color or grayscale.

Ads should be in one of the following file formats:

- PDF (high quality / fonts embedded)
- JPG (high resolution / 300 dpi)

Please note:

- Publisher files are not accepted.
- Word documents may require reformatting.
- All images should be high resolution or vector formats.

Logo Artwork

Sponsors should also send their full color logos in digital file formats (EPS or AI format recommended; high resolution JPG or PNG format accepted).

Submission

Email files to Zachary Montenero at Zachary.Montenero@scouting.org. If files are large, please use a file transfer service such as WeTransfer.

Deadline

Please submit your ad by **September 17, 2025, 5:00 PM.**

Questions

If you have questions regarding artwork preparation, please contact our journal designer, Alex Dubow, at alexubow@optimum.net.

For all other questions, please contact Zachary Montenero at Zachary.Montenero@scouting.org or 516.797.7600 x113.